

# PARTS LIST

[ KS-FX230 ]

\* All printed circuit boards and its assemblies are not available as service parts.

Area suffix

UF ----- China

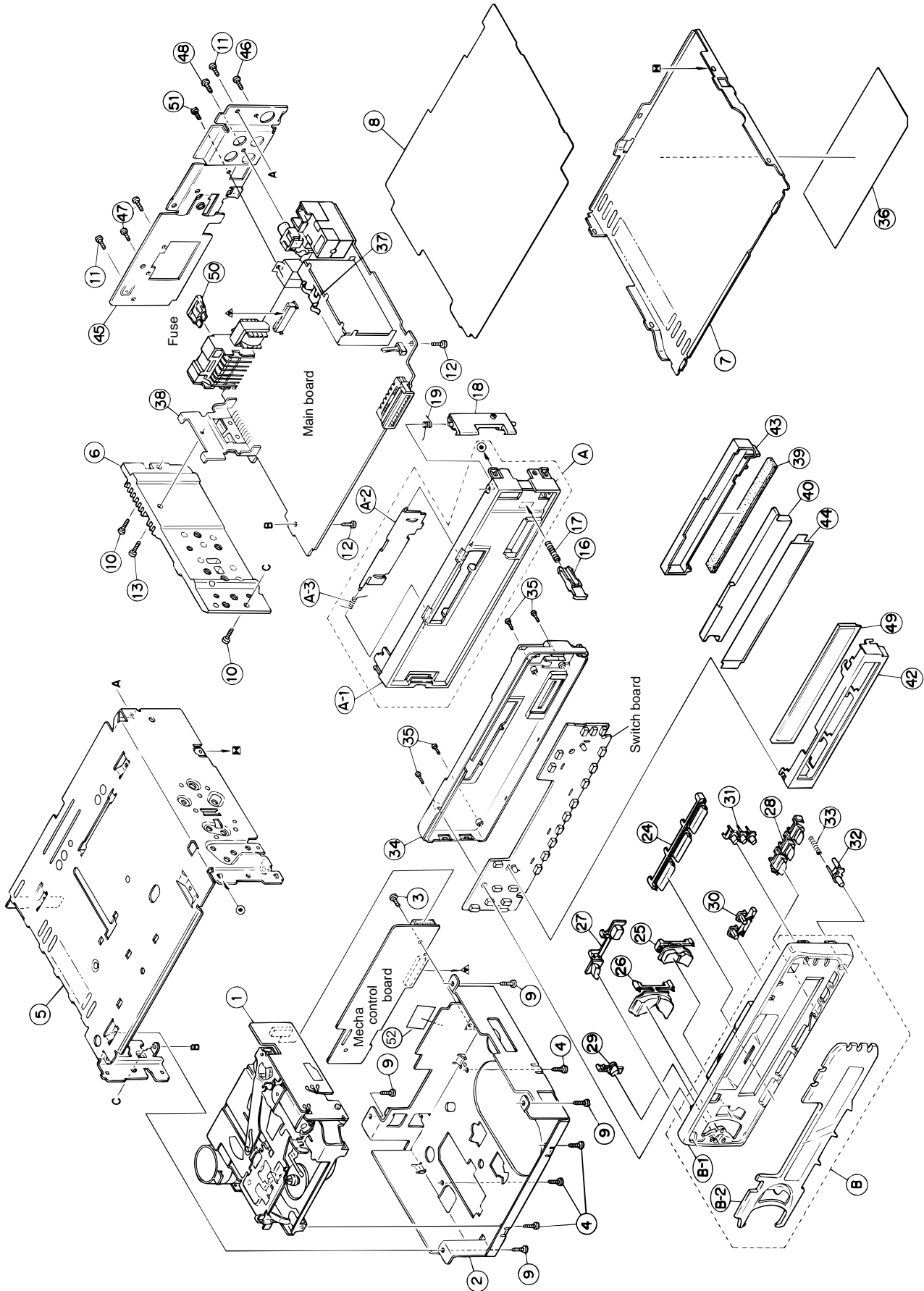
## - Contents -

Exploded view of general assembly and parts list .....	3- 2
Cassette mechanism assembly and parts list .....	3- 4
Electrical parts list .....	3- 7
Packing materials and accessories parts list .....	3-11

# Exploded view of general assembly and parts list

Block No. 

M	1	M	M
---	---	---	---



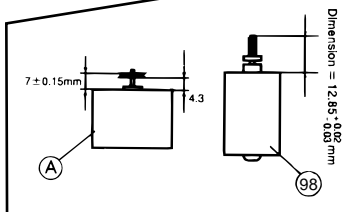
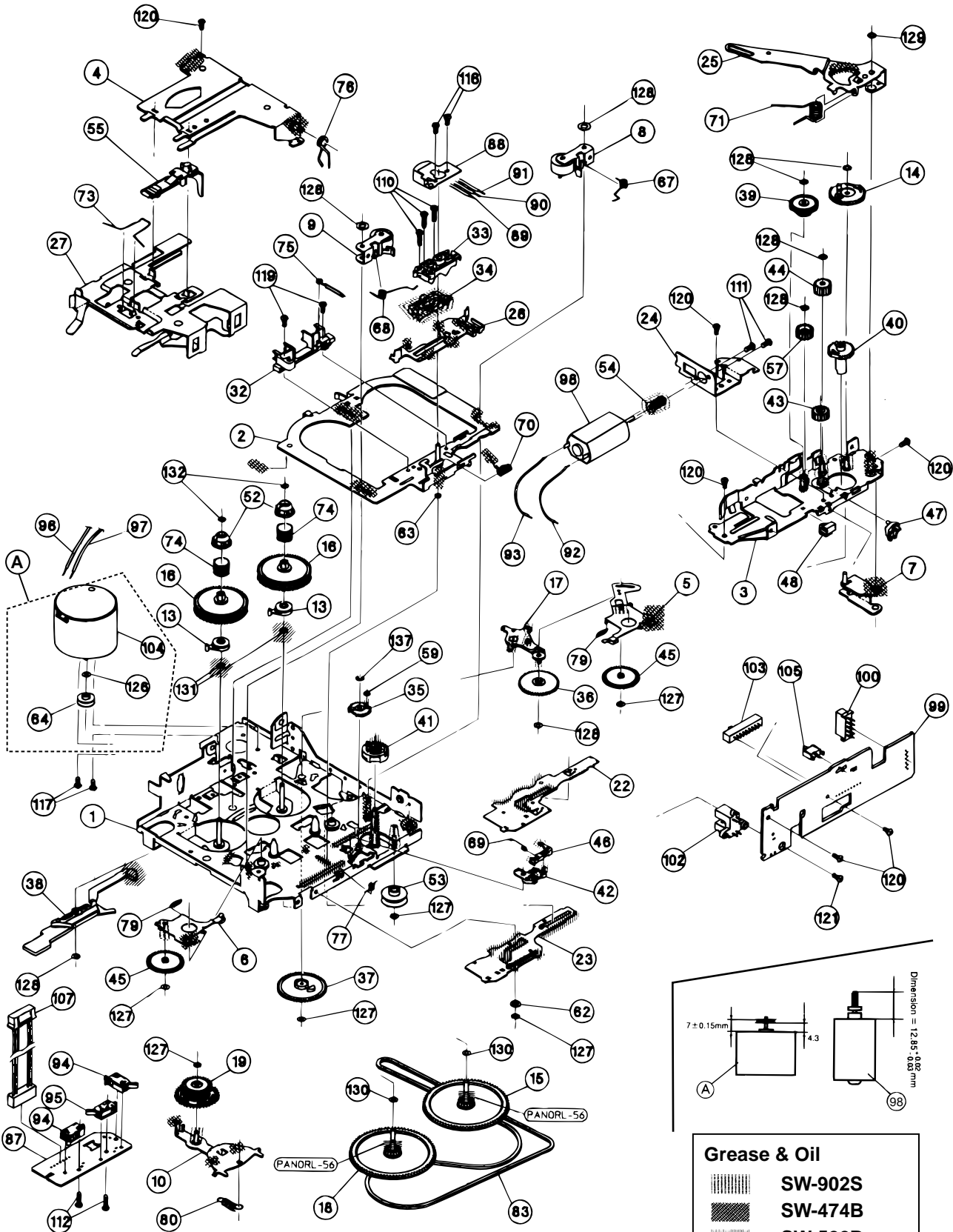
**Parts list (General assembly)**

Block No. M1MM

△	Item	Parts number	Parts name	Q'ty	Description	Area
	1	-----	CDS-522VJ2 CASSETTE MECHA	1		
	2	FSKM2003-004	MECHA BRACKET	1		
	3	QYSDST2604Z	SCREW	1	PCB+MECHA	
	4	FSKZ4004-001	SCREW	4	MECHA+M.BKT	
	5	FSJC1029-012	TOP CHASSIS	1		
	6	FSMH3001-001	HEAT SINK	1		
	7	FSKM3011-002	BOTTOM COVER	1		
	8	FSMA3004-003	INSULATOR	1		
	9	QYSDST2604Z	SCREW	4	CHASSIS+MECHA B	
	10	FSKZ4005-001	SCREW	2	CHASSIS+SIDE PA	
	11	QYSDST2606Z	SCREW	2	CHASSIS+REAR BK	
	12	QYSDST2606Z	SCREW	2	CHASSIS+MAIN PW	
	13	FSKZ4005-001	SCREW	1	SIDE PANEL+IC B	
	16	FSXP3026-002	RLS KNOB	1		
	17	FSKW3002-004	COMP.SPRING	1		
	18	FSKS3004-202	LOCK LEVER	1		
	19	FSKW4005-003	TORSION SPRING	1		
	24	FSXP2025-031	PRESET BUTTON	1	1/2/3/4/5/6	
	25	FSXP2026-032	UP/DOWN BUTTON	1		
	26	FSXP2033-031	+/- BUTTON	1		
	27	FSXP2028-001	POWER/EJECT BUT	1		
	28	FSXP2029-001UV	OPERAT.BUTTON	1		
	29	FSXP3040-011	SEL BUTTON	1		
	30	FSXP3041-002	PUSH BUTTON	1	HORIZONTAL	
	31	FSXP3050-002	PUSH BUTTON(V)	1	VERTICAL	
	32	FSXP3049-002	DETACH BUTTON	1		
	33	FSKW3002-008	COMP.SPRING	1	FOR DETACH BUTT	
	34	FSJC1031-002	REAR COVER	1		
	35	VKZ4777-001	MINI SCREW	4	F.PANEL+REAR CO	
	36	FSYN3031-001A	NAME PLATE	1	MADE IN CHINA	
	37	VMA4652-001SS	EARTH PLATE	1		
	38	FSKL4018-00B	IC BRACKET	1		
	39	QNZ0065-001	RUBBER CONNE	1		
	40	FSJK3010-002	LCD LENS	1		
	42	FSYH3012-001	LCD CASE	1		
	43	FSKS3005-001	LENS CASE	1		
	44	FSYH4046-002	SHEET	1		
	45	FSKM3010-011	REAR BRACKET	1		
	46	QYSDST2606Z	SCREW	1	REAR BKT+ANT JA	
	47	QYSDST2606Z	SCREW	2	REAR BKT+15P CN	
	48	QYSDSF3006Z	SCREW	1	REAR BKT+PIN JA	
	49	QLD0034-001	LCD	1	LCD1	
△	50	QMFZ021-100-J1	FUSE	1		
	51	QYSDST2606Z	SCREW	1	REAR BKT+CD IN	
	52	FSYH4036-027	SPACER	1		
	A	ZCKSFX230J-FB	F.CHASSIS ASS'Y	1		
	A- 1	FSJC2009-003	FRONT CHASSIS	1		
	A- 2	FSJC4003-021	CASSETTE LID	1		
	A- 3	VKW4947-002	DOOR SPRING	1		
	B	ZCKSFX230J-NPA	NOSE PIEC ASS'Y	1	SAME:KS-PFX230	
	B- 1	FSJC1030-001	FRONT PANEL	1		
	B- 2	FSJD3009-00B	FINDER ASS'Y	1		

# Cassette mechanism assembly and parts list

Block No. M 2 M M



Grease & Oil	
	SW-902S
	SW-474B
	SW-522B
	PANORL-56
	CFD-409

MODEL: CDS522-VJ2

**Parts list (Cassette mechanism)**

Block No. M2MM

△	Item	Parts number	Parts name	Q'ty	Description	Area
	A	100367057S-SA1	DC MOTOR ASS'Y	1	(NO.64.104.126)	
	1	1-0522-6001-02S	CHASSIS ASS'Y	1		
	2	1-0522-6002-02S	HEAD PLATE ASSY	1		
	3	1-0522-6003-11S	SUB CHASSIS ASY	1		
	4	X-0522-1004S	HOLDER ARM ASSY	1		
	5	X-0522-1006-02S	T.U.ARM(F)ASS'Y	1		
	6	X-0522-1007S	T.U.ARM(R)ASS'Y	1		
	7	X-0522-1010S	SET ARM ASS'Y	1		
	8	X-0522-1019S	PINCH ARM(F)ASY	1		
	9	X-0522-1020S	PINCH ARM(R)ASY	1		
	10	X-0522-1022S	FR ARM ASS'Y	1		
	13	X-0522-2008S	DETECT ARM ASSY	2		
	14	X-0522-2010S	LOAD GEAR ASS'Y	1		
	15	X-0522-2016-6S	FLYWHEEL ASY(FN	1		
	16	X-0522-2018S	REEL TABLE ASSY	2		
	17	X-0522-2020S	REDUCT.GEAR ARM	1		
	18	X-0522-2021-6S	FLYWHEEL ASY(RN	1		
	19	X-0052-2001S	F.R. GEAR ASS'Y	1		
	22	1-0522-1008S	DIR.PLATE	1		
	23	1-0522-1031S	FF/REW PLATE	1		
	24	1-0522-1027S	MOTOR BKT	1		
	25	1-0522-1013-30S	LOAD ARM	1		
	26	1-0522-1014S	SHIFT CAM LINK	1		
	27	1-0522-1017-50S	CASSETTE HOLDER	1		
	32	1-0522-2001S	TAPE GUIDE	1		
	33	1-0522-2002S	HEAD BKT	1		
	34	1-0522-2003S	HEAD SHIFT CAM	1		
	35	1-0522-2004-03S	SELECT GEAR	1		
	36	1-0522-2005S	REDUCTION GEAR	1		
	37	1-0522-2006S	DETECT GEAR	1		
	38	1-0522-2007-50S	DETECTOR	1		
	39	1-0522-2009S	WORM GEAR	1		
	40	1-0522-2011S	MODE GEAR	1		
	41	1-0522-2012S	MODE GEAR(2)	1		
	42	1-0522-2013S	GEAR LATCH	1		
	43	1-0522-2014S	IDLE GEAR(1)	1		
	44	1-0522-2015S	IDLE GEAR(2)	1		
	45	1-0522-2017S	TU GEAR	2		
	46	1-0522-2019S	RACHET	1		
	47	1-0522-2022S	SW ACTUATER	1		
	48	1-0522-2024S	PWB STAY	1		
	52	1-0052-2004S	REEL DRIVER	2		
	53	1-0052-2006S	IDLE PULLEY	1		
	54	1-0522-2023S	WORM	1		
	55	1-0052-2032S	CATCH(K)	1		
	57	1-0052-2041S	COUNTER GEAR	1		
	59	1-0522-3005S	SELECT GEAR COL	1		
	62	1-0052-3028S	H.B. ROLLER(L)	1		

**Parts list (Cassette mechanism)**

Block No. M2MM

△	Item	Parts number	Parts name	Q'ty	Description	Area
	63	1-0052-3029S	H.B. ROLLER(S)	1		
	64	-----	MOTOR PULLEY	1		
	67	1-0522-4001S	PINCH ARM(F)SPG	1		
	68	1-0522-4002S	PINCH ARM(R)SPG	1		
	69	1-0522-4003S	GEAR LATCH SPG	1		
	70	1-0522-4004S	HEAD SPRING	1		
	71	1-0522-4006S	LOAD ARM SPG	1		
	73	1-0522-4008S	CATCH SPRING	1		
	74	1-0522-4010S	REEL DRIVER SPG	2		
	75	1-0522-4011S	DASH SPRING	1		
	76	1-0522-4014S	HOLDER ARM SPG	1		
	77	1-0522-4016S	HOLD SPRING	1		
	79	1-0522-4017S	TU ARM SPRING	2		
	80	1-0522-4015S	FR ARM SPRING	1		
	83	1-0052-5022S	BELT	1		
	87	1-0522-7042S	REEL PWB	1		
	88	1-0522-7003S	2CH HEAD	1	P-7742-HG	
	89	1-0522-7004S	HEAD WIRE(A)	1		
	90	1-0522-7005S	HEAD WIRE(B)	1		
	91	1-0522-7006S	HEAD WIRE(C)	1		
	92	1-0522-7007-04S	SUB MOTOR WIRE	1	RED	
	93	1-0522-7008-04S	SUB MOTOR WIRE	1	BLACK	
	94	1-0522-7038S	LEAF SW	2	10920	
	95	1-0522-7039S	LEAF SW	1	11610	
	96	1-0522-7013S	MOTOR WIRE	1	RED	
	97	1-0522-7014S	MOTOR WIRE	1	BLACK	
	98	1-0522-7040S	SUB MOTOR	1	FF-050SK-10200	
	99	1-0522-7022-01S	HEAD PWB(JV)	1		
	100	1-0522-7024S	CONNECTOR 10P	1	TKC-F10X-K1	
	102	X-0052-7040S	PHOTO COUPLER	1		
	103	1-0036-7007-1S	SLIDE SWITCH	1	SLD-32-710S	
	104	-----	MOTOR ASS'Y	1	EG-520ED-3B	
	105	1-0056-7011S	SWITCH	1	SW-112-5	
	107	1-0052-7013S	JOINT WIRE (7P)	1		
	110	1-0522-5003S	AZIMUTH SCREW	3		
	111	1-0052-5023S	MOTOR SCREW	2	M2X2.5	
	112	1-0101-5006S	SCREW PLAIN	2	M1.7X7	
	116	1-0522-5005S	SPECIAL SCREW(2	2		
	117	2-1032-0022-C2S	MACHINE SCREW	2	M2X2.2	
	119	1-0522-5006S	SPECIAL SCREW(3	2		
	120	2-1332-0030-C1S	SCREW	6	M2X3	
	121	2-1382-0050-C2S	PLAIN	1	M2X5	
	126	-----	MYLAR WASHER	1		
	127	2-1812-0030-D2S	POLY WASHER(S)	6	1.2X3X0.25	
	128	2-1816-0032-D2S	POLY WASHER(S)	8	1.6X3.2X0.25	
	129	2-1817-5040-D8S	LMW-S	1	1.75X4X0.25	
	130	2-1816-0032-E8S	MYLAR WASHER(S)	2	1.6X3.2X0.35	
	131	2-1821-0040-D1S	POLY WASHER	2	2.1X4X0.25	
	132	1-0053-5005S	LMW-S	2	1.5X3.2X0.25	
	137	2-1711-5040-16S	E RING	1	1.5	

■ Electrical parts list (Main board)

Block No. 01

△	Item	Parts number	Parts name	Remarks	Area	△	Item	Parts number	Parts name	Remarks	Area
	C 1	QER41CM-106	E CAPACITOR	10MF 20% 16V			C 981	QEZ0337-228	E CAPACITOR	2200MF	
	C 2	QDX11EK-223Z	C.CAPACITOR				C 982	QDYB1CM-103Y	C.CAPACITOR		
	C 3	QERF1HM-104Z	E CAPACITOR	.10MF 20% 50V			C 983	QDYB1CM-103Y	C.CAPACITOR		
	C 4	QERF1HM-104Z	E CAPACITOR	.10MF 20% 50V			C 984	QEK41CM-106	E.CAPA I.M	10MF 20% 16V	
	C 5	QER41CM-106	E CAPACITOR	10MF 20% 16V			C 985	QDYB1CM-103Y	C.CAPACITOR		
	C 6	QDX11EK-103Z	C.CAPA I.M				C 986	QER41CM-106	E CAPACITOR	10MF 20% 16V	
	C 7	QDX11EK-103Z	C.CAPA I.M				C 987	QER41CM-106	E CAPACITOR	10MF 20% 16V	
	C 8	QERF1HM-104Z	E CAPACITOR	.10MF 20% 50V			C 988	QER41CM-476	E CAPACITOR	47MF 20% 16V	
	C 11	QDYB1CM-103Y	C.CAPACITOR				CJ701	VMC0334-001	CONNECTOR	TO FRONT PANEL	
	C 131	QER41HM-105	E CAPACITOR	1.0MF 20% 50V			CJ921	QNN0170-001	PIN JACK (REEL)		
	C 132	QER41HM-105	E CAPACITOR	1.0MF 20% 50V			CP702	QGB1214J1-18S	CONNECTOR	TO MECHA	
	C 133	QER41HM-105	E CAPACITOR	1.0MF 20% 50V			CP751	QNZ0095-001	CONNECTOR	CH CONNECTOR	
	C 134	QFLA1HJ-822Z	M CAPACITOR	8200PF 5% 50V			CP981	QNZ0002-001	16P CONNECTOR		
	C 135	QFV61HJ-154Z	TF CAPACITOR	.15MF 5% 50V			D 1	1SS119-041	SI DIODE		
	C 136	QFV61HJ-224Z	TF CAPACITOR	.22MF 5% 50V			D 2	1SS119-041	SI DIODE		
	C 137	QFV61HJ-333Z	TF CAPACITOR	.033MF 5% 50V			D 161	1SS119-041	SI DIODE	REAR	
	C 138	QFLK1HJ-562Z	M CAPACITOR	5600PF 5% 50V			D 261	1SS119-041	SI DIODE	REAR	
	C 150	QER41HM-105	E CAPACITOR	1.0MF 20% 50V			D 541	RB721Q-T2	S.B.DIODE		
	C 152	QCB1HK-471Y	C CAPACITOR	470PF 10% 50V			D 542	RB721Q-T2	S.B.DIODE		
	C 160	QER41HM-105	E CAPACITOR	1.0MF 20% 50V			D 701	1SS119-041	SI DIODE	CD CHANGER	
	C 162	QCB1HK-471Y	C CAPACITOR	470PF 10% 50V			D 704	MTZJ6.2C-T2	Z DIODE I/M		
	C 231	QER41HM-105	E CAPACITOR	1.0MF 20% 50V			D 705	MTZJ6.2C-T2	Z DIODE I/M		
	C 232	QER41HM-105	E CAPACITOR	1.0MF 20% 50V			D 706	MTZJ6.2C-T2	Z DIODE I/M		
	C 233	QER41HM-105	E CAPACITOR	1.0MF 20% 50V			D 707	MTZJ6.2C-T2	Z DIODE I/M		
	C 234	QFLA1HJ-822Z	M CAPACITOR	8200PF 5% 50V			D 708	MTZJ6.2C-T2	Z DIODE I/M		
	C 235	QFV61HJ-154Z	TF CAPACITOR	.15MF 5% 50V			D 709	MTZJ6.2C-T2	Z DIODE I/M		
	C 236	QFV61HJ-224Z	TF CAPACITOR	.22MF 5% 50V			D 710	1SS119-041	SI DIODE		
	C 237	QFV61HJ-333Z	TF CAPACITOR	.033MF 5% 50V			D 711	MTZJ6.2C-T2	Z DIODE I/M		
	C 238	QFLK1HJ-562Z	M CAPACITOR	5600PF 5% 50V			D 712	MTZJ6.2C-T2	Z DIODE I/M		
	C 250	QER41HM-105	E CAPACITOR	1.0MF 20% 50V			D 714	1SS119-041	SI DIODE		
	C 252	QCB1HK-471Y	C CAPACITOR	470PF 10% 50V			D 716	1SS119-041	SI DIODE		
	C 260	QER41HM-105	E CAPACITOR	1.0MF 20% 50V			D 718	RB721Q-T2	S.B.DIODE		
	C 262	QCB1HK-471Y	C CAPACITOR	470PF 10% 50V			D 771	MTZJ9.1C-T2	Z DIODE I/M		
	C 541	QER41HM-105	E CAPACITOR	1.0MF 20% 50V			D 781	RB721Q-T2	S.B.DIODE		
	C 542	QCF11HZ-473	C CAPACITOR	.047MF +80:-20%			D 784	DSK10C-T1	DIODE		
	C 543	QERF1HM-474Z	E CAPACITOR	.47MF 20% 50V			D 785	DSK10C-T1	DIODE		
	C 544	QERF1CM-226Z	E CAPACITOR	22MF 20% 16V			D 791	1SS119-041	SI DIODE		
	C 701	QDUB1HJ-270Y	C CAPACITOR				D 792	1SS119-041	SI DIODE		
	C 702	QDCB1HJ-220Y	C CAPACITOR				D 974	1SS119-041	SI DIODE		
	C 703	QERF0JM-107Z	E CAPACITOR	100MF 20% 6.3V			D 981	1N5401-TM	DIODE		
	C 704	QFV61HJ-224Z	TF CAPACITOR	.22MF 5% 50V			D 990	MTZ11B-T2	SI DIODE		
	C 705	QER41CM-106	E CAPACITOR	10MF 20% 16V			IC701	LC72362N-9388	IC		
	C 706	QDYB1CM-103Y	C.CAPACITOR				IC751	HD74HC126P	IC	CD-CH	
	C 707	QFV61HJ-103Z	TF CAPACITOR	.010MF 5% 50V			IC781	BA3918-V1	IC	REGULATOR	
	C 708	QFV61HJ-153Z	TF CAPACITOR	.015MF 5% 50V			IC790	KIA7810PI	10V REGULATOR		
	C 709	QFV41HJ-473	TF CAPACITOR	.047MF 5% 50V			IC931	TEA6320T-X	IC		
	C 751	QDYB1CM-103Y	C.CAPACITOR				IC981	HA13158A	IC		
	C 771	QER41AM-227	E CAPACITOR	220MF 20% 10V			J 1	QNZ0009-001	CAR ANT JACK		
	C 772	QERF1HM-225Z	E CAPACITOR	2.2MF 20% 50V			L 1	QQL231K-4R7Y	INDUCTOR		
	C 773	QDGB1HK-102Y	C CAPACITOR				L 781	QQL231K-470Y	INDUCTOR		
	C 781	QEDJ1CM-106Z	E CAPACITOR	10MF 20% 16V			L 782	QQL231K-470Y	INDUCTOR		
	C 783	QEZ0423-228	E CAPACITOR	2200MF			L 981	QQR0704-001	CHOKO COIL		
	C 784	QER41AM-227	E CAPACITOR	220MF 20% 10V			Q 1	2SA1706/ST-T	TRANSISTOR		
	C 785	QERF1AM-336Z	E CAPACITOR	33MF 20% 10V			Q 2	DTC114ESA-T	DIGITAL.TR TAPE		
	C 792	QFV11HJ-334AZ	TF CAPACITOR	.33MF 5% 50V			Q 3	2SA1317/ST-T	TRANSISTOR		
	C 793	QFV61HJ-104Z	TF CAPACITOR	.10MF 5% 50V			Q 5	DTC114ESA-T	DIGITAL.TR TAPE		
	C 931	QER41AM-107	E CAPACITOR	100MF 20% 10V			Q 161	2SD2144S/VW-T	TRANSISTOR	REAR	
	C 932	QDYB1CM-103Y	C.CAPACITOR				Q 261	2SD2144S/VW-T	TRANSISTOR	REAR	
	C 933	QER41AM-107	E CAPACITOR	100MF 20% 10V			Q 541	2SC3330/ST-T	TRANSISTOR		
	C 934	QER41CM-476	E CAPACITOR	47MF 20% 16V			Q 771	2SC3330/ST-T	TRANSISTOR		
	C 951	QERF1EM-475Z	E CAPACITOR	4.7MF 20% 25V			Q 772	2SC3330/ST-T	TRANSISTOR		
	C 971	QERF1EM-475Z	E CAPACITOR	4.7MF 20% 25V			Q 781	DTC114ESA-T	DIGITAL.TR TAPE		
	C 972	QER41AM-227	E CAPACITOR	220MF 20% 10V			Q 782	2SA1706/ST-T	TRANSISTOR		

■ Electrical parts list (Main board)

Block No. 01

△	Item	Parts number	Parts name	Remarks	Area
	Q 783	DTC114ESA-T	DIGITAL.TR TAPE		
	Q 784	2SA1317/ST-T	TRANSISTOR		
	Q 785	DTA114ESA-T	DIGITAL.TR TAPE		
	Q 786	DTC114ESA-T	DIGITAL.TR TAPE		
	Q 789	DTA114ESA-T	DIGITAL.TR TAPE		
	Q 971	DTC114ESA-T	DIGITAL.TR TAPE		
	Q 972	DTA114ESA-T	DIGITAL.TR TAPE		
	Q 987	DTA114ESA-T	DIGITAL.TR TAPE		
	Q 988	DTC114ESA-T	DIGITAL.TR TAPE		
	Q 989	DTA114ESA-T	DIGITAL.TR TAPE		
	R 1	QRE141J-100Y	C RESISTOR	10 5% 1/4W	
	R 2	QRE141J-102Y	C RESISTOR	1.0K 5% 1/4W	
	R 3	QRE141J-102Y	C RESISTOR	1.0K 5% 1/4W	
	R 4	QRE141J-103Y	C RESISTOR	10K 5% 1/4W	
	R 5	QRE141J-102Y	C RESISTOR	1.0K 5% 1/4W	
	R 6	QRE141J-103Y	C RESISTOR	10K 5% 1/4W	
	R 8	QRE141J-101Y	C RESISTOR	100 5% 1/4W	
	R 9	QRE141J-103Y	C RESISTOR	10K 5% 1/4W	
	R 10	QRE141J-822Y	C RESISTOR	8.2K 5% 1/4W	
	R 11	QRE141J-104Y	C RESISTOR	100K 5% 1/4W	
	R 14	QRE141J-155Y	C RESISTOR	1.5M 5% 1/4W	
	R 15	QRE141J-335Y	C RESISTOR	3.3M 5% 1/4W	
	R 17	QRE141J-222Y	C RESISTOR	2.2K 5% 1/4W	
	R 51	QRE141J-162Y	C RESISTOR	1.6K 5% 1/4W	
	R 52	QRE141J-392Y	C RESISTOR	3.9K 5% 1/4W	
	R 53	QRE141J-203Y	C RESISTOR	20K 5% 1/4W	
	R 54	QRE141J-752Y	C RESISTOR	7.5K 5% 1/4W	
	R 61	QRE141J-162Y	C RESISTOR	1.6K 5% 1/4W	
	R 62	QRE141J-392Y	C RESISTOR	3.9K 5% 1/4W	
	R 63	QRE141J-203Y	C RESISTOR	20K 5% 1/4W	
	R 64	QRE141J-752Y	C RESISTOR	7.5K 5% 1/4W	
	R 131	QRE141J-223Y	C RESISTOR	22K 5% 1/4W	
	R 132	QRE141J-222Y	C RESISTOR	2.2K 5% 1/4W	
	R 133	QRE141J-154Y	C RESISTOR	150K 5% 1/4W	
	R 151	QRE141J-273Y	C RESISTOR	27K 5% 1/4W	
	R 152	QRE141J-823Y	C RESISTOR	82K 5% 1/4W	
	R 161	QRE141J-273Y	C RESISTOR	27K 5% 1/4W	
	R 162	QRE141J-823Y	C RESISTOR	82K 5% 1/4W	
	R 163	QRE141J-821Y	C RESISTOR	820 5% 1/4W	
	R 164	QRE141J-101Y	C RESISTOR	100 5% 1/4W	
	R 165	QRE141J-222Y	C RESISTOR	2.2K 5% 1/4W	
	R 231	QRE141J-223Y	C RESISTOR	22K 5% 1/4W	
	R 232	QRE141J-222Y	C RESISTOR	2.2K 5% 1/4W	
	R 233	QRE141J-154Y	C RESISTOR	150K 5% 1/4W	
	R 251	QRE141J-273Y	C RESISTOR	27K 5% 1/4W	
	R 252	QRE141J-823Y	C RESISTOR	82K 5% 1/4W	
	R 261	QRE141J-273Y	C RESISTOR	27K 5% 1/4W	
	R 262	QRE141J-823Y	C RESISTOR	82K 5% 1/4W	
	R 263	QRE141J-821Y	C RESISTOR	820 5% 1/4W	
	R 264	QRE141J-101Y	C RESISTOR	100 5% 1/4W	
	R 265	QRE141J-222Y	C RESISTOR	2.2K 5% 1/4W	
	R 542	QRE141J-223Y	C RESISTOR	22K 5% 1/4W	
	R 543	QRE141J-123Y	C RESISTOR	12K 5% 1/4W	
	R 544	QRE141J-102Y	C RESISTOR	1.0K 5% 1/4W	
	R 545	QRE141J-563Y	C RESISTOR	56K 5% 1/4W	
	R 546	QRE141J-184Y	C RESISTOR	180K 5% 1/4W	
	R 547	QRE141J-101Y	C RESISTOR	100 5% 1/4W	
	R 702	QRE141J-473Y	C RESISTOR	47K 5% 1/4W	
	R 703	QRE141J-473Y	C RESISTOR	47K 5% 1/4W	
	R 704	QRE141J-473Y	C RESISTOR	47K 5% 1/4W	
	R 705	QRE141J-473Y	C RESISTOR	47K 5% 1/4W	
	R 706	QRE141J-473Y	C RESISTOR	47K 5% 1/4W	
	R 707	QRE141J-473Y	C RESISTOR	47K 5% 1/4W	

△	Item	Parts number	Parts name	Remarks	Area
	R 708	QRE141J-473Y	C RESISTOR	47K 5% 1/4W	
	R 709	QRE141J-472Y	C RESISTOR	4.7K 5% 1/4W	
	R 710	QRE141J-472Y	C RESISTOR	4.7K 5% 1/4W	
	R 711	QRE141J-473Y	C RESISTOR	47K 5% 1/4W	
	R 712	QRE141J-332Y	C RESISTOR	3.3K 5% 1/4W	
	R 713	QRE141J-332Y	C RESISTOR	3.3K 5% 1/4W	
	R 714	QRE141J-332Y	C RESISTOR	3.3K 5% 1/4W	
	R 715	QRE141J-101Y	C RESISTOR	100 5% 1/4W	
	R 716	QRE141J-101Y	C RESISTOR	100 5% 1/4W	
	R 717	QRE141J-101Y	C RESISTOR	100 5% 1/4W	
	R 718	QRE141J-332Y	C RESISTOR	3.3K 5% 1/4W	
	R 719	QRE141J-332Y	C RESISTOR	3.3K 5% 1/4W	
	R 720	QRE141J-332Y	C RESISTOR	3.3K 5% 1/4W	
	R 721	QRE141J-332Y	C RESISTOR	3.3K 5% 1/4W	
	R 722	QRE141J-332Y	C RESISTOR	3.3K 5% 1/4W	
	R 724	QRE141J-472Y	C RESISTOR	4.7K 5% 1/4W	
	R 725	QRE141J-473Y	C RESISTOR	47K 5% 1/4W	
	R 726	QRE141J-473Y	C RESISTOR	47K 5% 1/4W	
	R 727	QRE141J-473Y	C RESISTOR	47K 5% 1/4W	
	R 751	QRE141J-102Y	C RESISTOR	1.0K 5% 1/4W	
	R 752	QRE141J-103Y	C RESISTOR	10K 5% 1/4W	
	R 753	QRE141J-473Y	C RESISTOR	47K 5% 1/4W	
	R 754	QRE141J-334Y	C RESISTOR	330K 5% 1/4W	
	R 755	QRE141J-101Y	C RESISTOR	100 5% 1/4W	
	R 756	QRE141J-101Y	C RESISTOR	100 5% 1/4W	
	R 757	QRE141J-473Y	C RESISTOR	47K 5% 1/4W	
	R 758	QRE141J-473Y	C RESISTOR	47K 5% 1/4W	
	R 759	QRE141J-101Y	C RESISTOR	100 5% 1/4W	
	R 760	QRE141J-103Y	C RESISTOR	10K 5% 1/4W	
	R 761	QRE141J-102Y	C RESISTOR	1.0K 5% 1/4W	
	R 762	QRE141J-102Y	C RESISTOR	1.0K 5% 1/4W	
	R 763	QRE141J-102Y	C RESISTOR	1.0K 5% 1/4W	
	R 764	QRE141J-473Y	C RESISTOR	47K 5% 1/4W	
	R 771	QRE141J-472Y	C RESISTOR	4.7K 5% 1/4W	
	R 772	QRE141J-103Y	C RESISTOR	10K 5% 1/4W	
	R 773	QRE141J-102Y	C RESISTOR	1.0K 5% 1/4W	
	R 774	QRE141J-152Y	C RESISTOR	1.5K 5% 1/4W	
	R 783	QRE141J-473Y	C RESISTOR	47K 5% 1/4W	
	R 784	QRE141J-102Y	C RESISTOR	1.0K 5% 1/4W	
	R 785	QRE141J-473Y	C RESISTOR	47K 5% 1/4W	
	R 786	QRE141J-102Y	C RESISTOR	1.0K 5% 1/4W	
	R 787	QRE141J-6R8Y	C RESISTOR	6.8 5% 1/4W	
	R 788	QRE141J-104Y	C RESISTOR	100K 5% 1/4W	
	R 789	QRE141J-474Y	C RESISTOR	470K 5% 1/4W	
	R 790	QRE141J-272Y	C RESISTOR	2.7K 5% 1/4W	
	R 795	QRE141J-103Y	C RESISTOR	10K 5% 1/4W	
	R 796	QRE141J-473Y	C RESISTOR	47K 5% 1/4W	
	R 931	QRE141J-100Y	C RESISTOR	10 5% 1/4W	
	R 951	QRE141J-472Y	C RESISTOR	4.7K 5% 1/4W	
	R 971	QRE141J-473Y	C RESISTOR	47K 5% 1/4W	
	R 972	QRE141J-471Y	C RESISTOR	470 5% 1/4W	
	R 987	QRE141J-101Y	C RESISTOR	100 5% 1/4W	
	R 988	QRE141J-242Y	C RESISTOR	2.4K 5% 1/4W	
	R 989	QRE141J-103Y	C RESISTOR	10K 5% 1/4W	
	R 990	QRE141J-103Y	C RESISTOR	10K 5% 1/4W	
	TU 1	QAU0058-001	TUNER		
	X 701	QAX0406-001Z	CRYSTAL		



■ Electrical parts list (Switch board)

Block No. 02

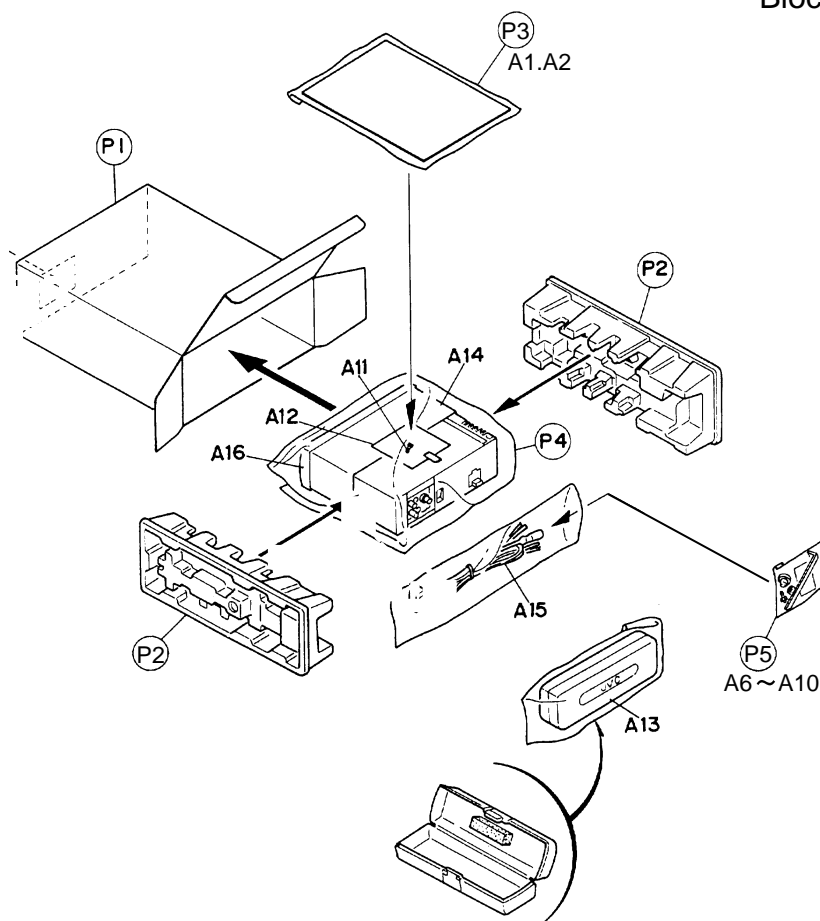
△	Item	Parts number	Parts name	Remarks	Area
	C 651	NCB21HK-103X	C CAPACITOR		
	C 652	NBE20JM-475X	TS E CAPACITOR		
	C 653	NCB21HK-681X	C CAPACITOR		
	CP701	VMC0335-001	CONNECTOR		
	D 601	SML-210FT/JKL/W	LED		
	D 602	SML-210FT/JKL/W	LED		
	D 603	SML-210FT/JKL/W	LED		
	D 604	SML-210FT/JKL/W	LED		
	D 605	SML-210FT/JKL/W	LED		
	D 608	SML-210FT/JKL/W	LED		
	D 609	SML-210FT/JKL/W	LED		
	D 610	SML-210FT/JKL/W	LED		
	D 611	SML-210FT/JKL/W	LED		
	D 612	SML-210FT/JKL/W	LED		
	D 613	SML-210FT/JKL/W	LED		
	D 614	SML-210FT/JKL/W	LED		
	D 615	SML-210FT/JKL/W	LED		
	D 616	SML-210FT/JKL/W	LED		
	D 618	SML-210FT/JKL/W	LED		
	D 619	SML-210FT/JKL/W	LED		
	D 620	SML-210FT/JKL/W	LED		
	D 621	SML-210FT/JKL/W	LED		
	D 622	SML-210FT/JKL/W	LED		
	D 623	SML-210LT/LM/-X	LED		
	D 624	SML-210FT/JKL/W	LED		
	D 652	MA152WA-X	DIODE		
	D 653	MA152WA-X	DIODE		
	D 654	MA152WK-X	SI DIODE		
	D 655	MA152WK-X	SI DIODE		
	IC651	LC75823E	IC		
	PL601	QLL0033-001	LAMP		
	PL603	QLL0033-001	LAMP		
	R 600	NRSA02J-102X	MG RESISTOR		
	R 601	NRSA02J-271X	MG RESISTOR		
	R 602	NRSA02J-331X	MG RESISTOR		
	R 603	NRSA02J-391X	MG RESISTOR		
	R 604	NRSA02J-471X	MG RESISTOR		
	R 605	NRSA02J-561X	MG RESISTOR		
	R 606	NRSA02J-821X	MG RESISTOR		
	R 607	NRSA02J-102X	MG RESISTOR		
	R 608	NRSA02J-271X	MG RESISTOR		
	R 609	NRSA02J-331X	MG RESISTOR		
	R 610	NRSA02J-391X	MG RESISTOR		
	R 611	NRSA02J-471X	MG RESISTOR		
	R 612	NRSA02J-561X	MG RESISTOR		
	R 613	NRSA02J-821X	MG RESISTOR		
	R 614	NRSA02J-821X	MG RESISTOR		
	R 615	NRSA02J-271X	MG RESISTOR		
	R 616	NRSA02J-331X	MG RESISTOR		
	R 617	NRSA02J-391X	MG RESISTOR		
	R 618	NRSA02J-471X	MG RESISTOR		
	R 619	NRSA02J-561X	MG RESISTOR		
	R 620	NRSA02J-102X	MG RESISTOR		
	R 628	NRSA02J-821X	MG RESISTOR		
	R 631	NRSA02J-821X	MG RESISTOR		
	R 633	NRSA02J-511X	MG RESISTOR		
	R 634	NRSA02J-561X	MG RESISTOR		
	R 635	NRSA02J-821X	MG RESISTOR		
	R 636	NRSA02J-821X	MG RESISTOR		
	R 637	NRSA02J-821X	MG RESISTOR		
	R 638	NRSA02J-511X	MG RESISTOR		
	R 639	NRSA02J-511X	MG RESISTOR		
	R 640	NRSA02J-511X	MG RESISTOR		

△	Item	Parts number	Parts name	Remarks	Area
	R 651	NRSA02J-152X	MG RESISTOR		
	R 652	NRSA02J-473X	MG RESISTOR		
	R 653	NRSA02J-154X	MG RESISTOR		
	R 654	NRSA02J-103X	MG RESISTOR		
	R 655	NRSA02J-103X	MG RESISTOR		
	R 656	NRSA02J-103X	MG RESISTOR		
	S 601	NSW0066-001X	TACT SWITCH		
	S 602	NSW0066-001X	TACT SWITCH		
	S 603	NSW0066-001X	TACT SWITCH		
	S 604	NSW0066-001X	TACT SWITCH		
	S 605	NSW0066-001X	TACT SWITCH		
	S 606	NSW0066-001X	TACT SWITCH		
	S 607	NSW0066-001X	TACT SWITCH		
	S 608	NSW0066-001X	TACT SWITCH		
	S 609	NSW0066-001X	TACT SWITCH		
	S 610	NSW0066-001X	TACT SWITCH		
	S 611	NSW0066-001X	TACT SWITCH		
	S 612	NSW0066-001X	TACT SWITCH		
	S 613	NSW0066-001X	TACT SWITCH		
	S 614	NSW0066-001X	TACT SWITCH		
	S 615	NSW0066-001X	TACT SWITCH		
	S 616	NSW0066-001X	TACT SWITCH		
	S 617	NSW0066-001X	TACT SWITCH		
	S 618	NSW0066-001X	TACT SWITCH		
	S 619	NSW0066-001X	TACT SWITCH		
	S 620	NSW0066-001X	TACT SWITCH		
	S 622	NSW0066-001X	TACT SWITCH		

■ Electrical parts list (Mecha control board) Block No. 03

△	Item	Parts number	Parts name	Remarks	Area
	C 101	NCS21HJ-471X	C CAPACITOR		
	C 102	QFV61HJ-103Z	TF CAPACITOR	.010MF 5% 50V	
	C 103	QE061HM-105Z	NP E CAPACITOR	1.0MF 20% 50V	
	C 104	QFV61HJ-104Z	TF CAPACITOR	.10MF 5% 50V	
	C 105	NCS21HJ-470X	C CAPACITOR		
	C 201	NCS21HJ-471X	C CAPACITOR		
	C 202	QFV61HJ-103Z	TF CAPACITOR	.010MF 5% 50V	
	C 203	QE061HM-105Z	NP E CAPACITOR	1.0MF 20% 50V	
	C 204	QFV61HJ-104Z	TF CAPACITOR	.10MF 5% 50V	
	C 205	NCS21HJ-470X	C CAPACITOR		
	C 501	NCB21HK-103X	C CAPACITOR		
	C 502	NCB21EK-104X	C CAPACITOR		
	C 503	QEK41CM-106	E.CAPA I.M	10MF 20% 16V	
	C 901	QER61CM-226Z	E CAPACITOR	22MF 20% 16V	
	C 902	NCS21HJ-221X	C CAPACITOR		
	C 903	QEK41HM-474	E.CAPA I.M	.47MF 20% 50V	
	C 904	NCB21HK-103X	C CAPACITOR		
	C 905	NCB21EK-104X	C CAPACITOR		
	C 906	QEKJ1CM-226Z	E.CAPA I.M	22MF 20% 16V	
	CJ501	QGB1214K1-18S	CONNECTOR		
	CJ503	QGB1214K1-10S	CONNECTOR		
	CP502	QGA2001F1-07	CONNECTOR		
	D 501	DSK10C-T1	DIODE		
	D 502	MA3036/L-X	ZENER DIODE		
	D 503	MA3075/M-X	ZENER DIODE		
	IC501	LB1641	IC		
	IC901	CXA2509AQ	IC		
	Q 501	2SA1706/ST-T	TRANSISTOR		
	Q 502	DTC114EKA-X	TRANSISTOR		
	Q 503	DTC114EKA-X	TRANSISTOR		
	R 101	NRSA02J-104X	MG RESISTOR		
	R 103	NRSA02J-123X	MG RESISTOR		
	R 104	NRSA02J-304X	MG RESISTOR		
	R 105	NRSA02J-181X	MG RESISTOR		
	R 108	NRS181J-512X	MG RESISTOR		
	R 109	NRSA02J-152X	MG RESISTOR		
	R 201	NRSA02J-104X	MG RESISTOR		
	R 203	NRSA02J-123X	MG RESISTOR		
	R 204	NRSA02J-304X	MG RESISTOR		
	R 205	NRS181J-181X	MG RESISTOR		
	R 208	NRSA02J-512X	MG RESISTOR		
	R 209	NRSA02J-152X	MG RESISTOR		
	R 501	NRS181J-473X	MG RESISTOR		
	R 502	NRS181J-332X	MG RESISTOR		
	R 503	NRSA02J-332X	MG RESISTOR		
	R 504	QRT036J-8R2	OMF RESISTOR	8.2 5% 1/3W	
	R 505	NRS181J-330X	MG RESISTOR		
	R 506	NRSA02J-222X	MG RESISTOR		
	R 901	NRS181J-101X	MG RESISTOR		
	R 902	NRSA02J-392X	MG RESISTOR		
	R 903	NRSA02J-223X	MG RESISTOR		
	R 904	NRSA02J-125X	MG RESISTOR		
	R 905	NRSA02J-153X	MG RESISTOR		
	R 906	NRS181J-103X	MG RESISTOR		
	R 907	NRSA02J-183X	MG RESISTOR		
	VR101	QVP0009-333Z	SEMI V RESISTOR		
	VR201	QVP0009-333Z	SEMI V RESISTOR		

# Packing materials and accessories parts list

Block No. M 3 M MBlock No. M 4 M M

## Parts list (Packing)

Block No. M3MM

△	Item	Parts number	Parts name	Q'ty	Description	Area
	P 1	FSPE3001-129	CARTON	1	REGISTERED MARK	
	P 2	FSPH1014-001	PAPER CUSHION	2		
	P 3	QPA01703505P	POLY BAG	1	INST BOOK	
	P 4	VPE3005-064	POLY BAG	1	SET	
	P 5	QPA00801205	POLY BAG	1		

## Parts list (Accessories)

Block No. M4MM

△	Item	Parts number	Parts name	Q'ty	Description	Area
	A 1	FSUN3029-181S	INST BOOK	1	ENG,SPA,CHI,ARA,POR	
	A 2	FSUN3029-T181S	INSTALL MANUAL	1	ENG,SPA,CHI,ARA,POR	
	A 6	VKZ4027-202	PLUG NUT	1		
	A 7	VKH4871-001	MOUNT BOLT	1		
	A 8	VKZ4328-001	LOCK NUT	1		
	A 9	WNS5000Z	WASHER	1		
	A 10	FSKL4010-002	HOOK	2		
	A 13	FSJB3001-00A	HARD CASE	1		
	A 14	FSKM2004-003SSF	MOUNTING SLEEVE	1	TRANSPORT PACKI	
	A 15	QAM0013-006	16P CORD ASS'Y	1		
	A 16	FSJD2019-002SSF	TRIM PLATE	1		
	KIT 1	KDGS717K-SCREW1	SCREW PARTS KIT	1	A6-A10	
	KIT 2	KDGS727J-SCREW2	SCREW PARTS KIT	1	A11.A12	